

# MEBH SINGLE BAG FILTER HOUSING



MEY's MEBH single bag filter stainless steel housing with a economical design, the V-clamp band top closure convenient for quick and easy to opening the top cover and replacement the filter bags. .As standard, the MEBH series is provided with heady duty adjustable mounting bracket support legs and SS filter basket supplied to support for the filter bag.Suitable for the general commercial and industrial applications liquid applications

## Typical Application:

- Water treatment
- Municipal Water Treatment
- Industrial Water Treatment
- Pulp and Paper
- Pharmaceutical
- Lubricants, Metalworking Fluids
- Solvents
- Food and Beverage
- Chemical Processing
- Paints, Inks, Resins and Coatings
- Electronics
- Petrochemicals

## Filter Specifications

### No. Of Filter Bags

1

### Filter Bags Sizes

01: Size 01                      03: Size 03

02: Size 02                      04: Size 04

### Housing Diameter

4" & 8"

### Housing Material

SS304, SS316L, CARBON STEEL

### Seal Material

Buna N

### Inlet & Outlet

DIN / ANSI / BSP / NPT

### Recommended Flow Rates

? m<sup>3</sup>/h

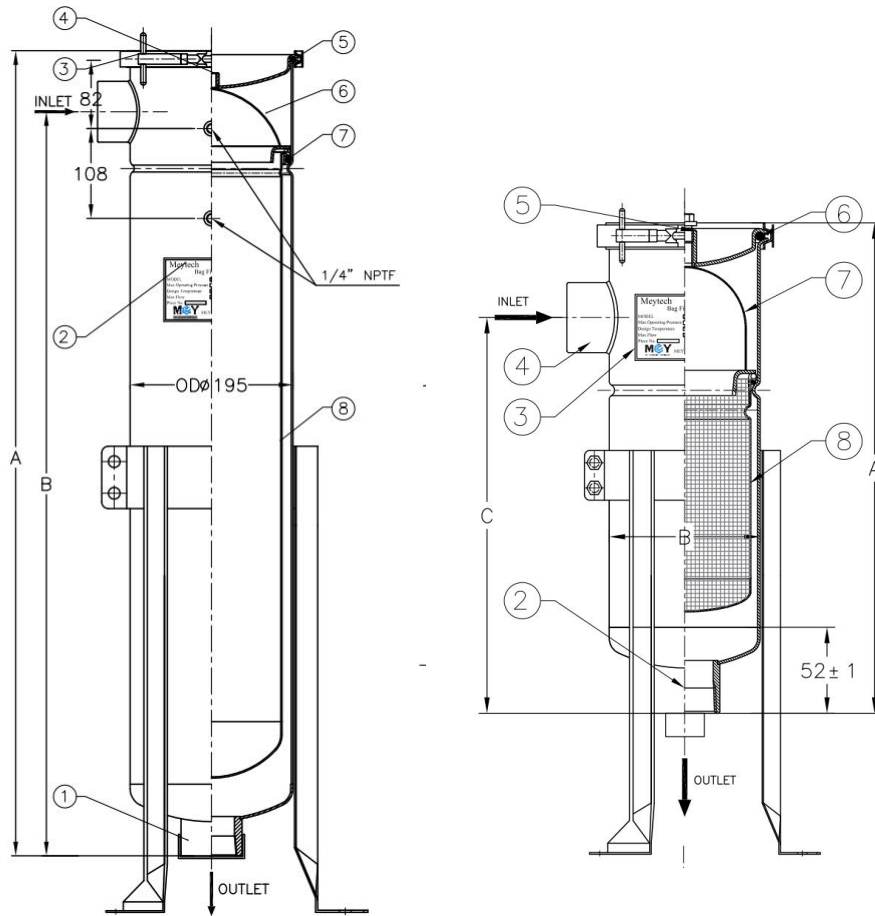
### Max. Operating Temperature

150 °C

### Max. Operating Pressure

10Bar (150PSI)

■ MEBH



### Dimensions

Dimensions	Size 01	Size 02	Size 03	Size 04
A(Total Height)	572mm(22.5")	967mm(38.1")	358mm(14.1")	513mm(20.2")
B(Housing height)	499mm(18.6")	894mm(35.2")	299mm(11.8")	454(17.9")
C(Diameter)	195mm(7.5")	195mm(7.5")	114mm(4.5")	114mm(4.5")

### Specifications

Specifications	Size 02 & Size 01	Size 03 & Size 04
Max.Operating pressure(Bar)	7	8
Max.Operating Temperature(°C)	120	100
Filter Area(sq.ft)		0.8/1.5
Filter Volume(gal)		0.5/0.7
Max.Flow(m <sup>3</sup> /h)	20/40	10
Standard Inlet/Outlet	2" Threaded	1" Threaded
Vent Ports		1/4" Female
Material of Construction	SUS304/316L	SUS304/316L
Seal Meaterial	BUUNA-N	BUUNA-N

## Order Information

MEBH	4	-01	-02	SS304	1"	NPT	VC	PC
Model	Diameter	No.of Filter Bags	Filter bag size	Material	INLET/OUTLET SIZE	INLET/OUTLET CONNECTION	TOP CLOSURE	Surface Finish
V-Clamp	4=4"	01	01=size #1	SS304	1"	NPT	VC=V-Clamp	PC=Poly coat
	7=7"		02=Size#2	SS316L	1.5"	BSP		GB=Glass
	7.5=1.5"					TC=Tri-Clamp		bead
	8=8"					RF=FLANGE		EP=Elecropolish



Mey Membrane Technology Co.,Ltd

Add.:Fuyang district, Hangzhou

Tel.:0571-63465770